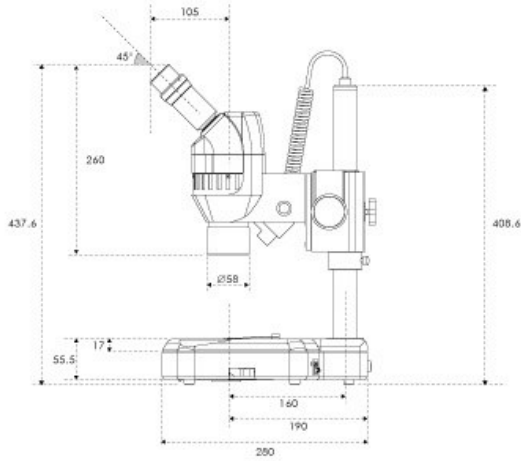
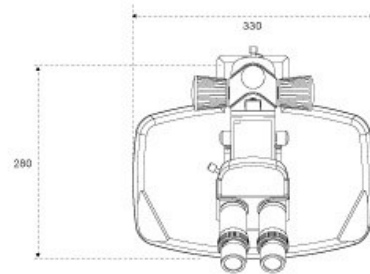
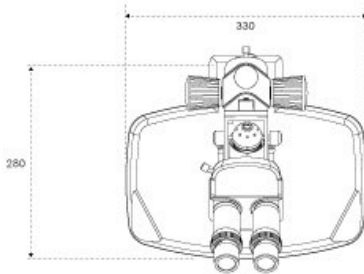
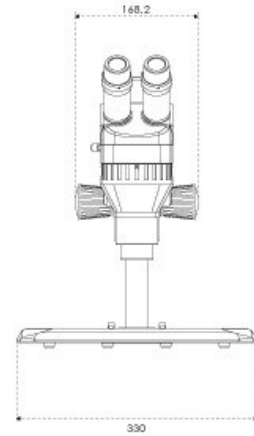
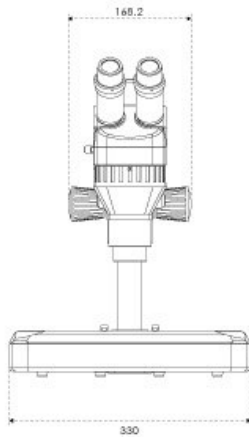
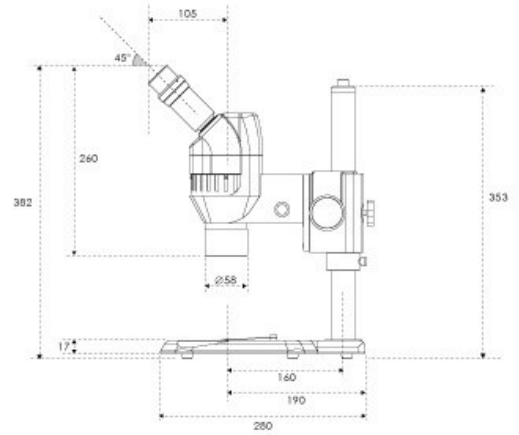


SPECIFICATIONS	
MODEL	K401
Optical System	Common Main Objective [CMO]
Binocular Tubes	45° Observation Angle
Magnification Changer	4-step: 0.6X, 1.2X, 2.5X, 5.0X
Magnification Range (standard)	6.0X - 50X [with 1.0X objective and 10X eyepieces]
Standard Objective	1X Plan Achromat
Standard Eyepieces	Super Widefield 10X/F.N. 23
Standard Field Range	38.3mm to 4.6mm
Interpupillary Adjustment	54mm - 76mm
Diopter Adjustment	± 5'
Working Distance	110mm [with standard 1.0X Plan Achromat]
Max. Magnification Range	3.8X - 320X
Max. Field Range	127.8mm to 0.8mm
Auxiliary Objectives	0.3X Achromat [315mm] 0.5X Achromat [194mm] 0.625X Achromat [161mm] 1.5X Achromat [59mm] 2.0X Achromat [40mm]
Auxiliary Eyepieces	WF5X/F.N. 23, WF6.25X/F.N. 23, WF10X/F.N. 21, WF15X/F.N. 17.6, WF20X/F.N. 13.4, WF30X/F.N. 8, WF32X/F.N. 8
ACCESSORIES	
Photomicrographic Documentation	1501.4 Photomicrography system, 1502 Focusing Photo tube
Digital Documentation	1500.4 Video/Photography optical bridge 0.35X C-mount camera adapter [1/4" chip sensors, focusable] 0.45X C-mount camera adapter [1/3" chip sensors, focusable] 0.65X C-mount camera adapter [1/2" chip sensors, focusable] 1.0X C-mount camera adapter [no lens, focusable]
Drawing Capability	1508.4 Drawing Device
Polarisation Capability	B301K: Polarising equipment [1-piece rotary], 2-Piece Polarising equipment for K-Series
Dark field Capability	Dark field attachment with iris diaphragm
Micrometer Eyepieces	2305.1: 360° Protractor, 30° increments 2305.2: Graduated linear line, pt = 0.2mm/14mm 2305.3: Graduated linear line and plain cross hair, pt = 0.1mm/14mm 1306: Graduated cross hair, pt = 0.1mm/10mm
STAGES, ILLUMINATION	
Focusing Drive	Coarse application
Incident Illumination Stand	2112: Incident large working area stand
Transmitted Illumination Stand	2111: Transmitted large working area stand
Universal Stand	2105: 200mm / Ø32mm column [Ø25mm round base] 2105S: 373mm/ Ø32mm column [250mm x 250mm base]
Articulating Arm	2107: 600mm / Ø32mm column [260mm x 260mm base] 2109: 600mm / Ø32mm column [table clamp version]
Ball Bearing	2108: 600mm / Ø32mm column [260mm x 260mm base] 2110: 600mm / Ø32mm column [table clamp version]
Stages	2106K: Gliding stage; Mechanical stage [150mm x 100mm]
Illumination	2401K: Fluorescent ring illuminator MLC-150: Fiber optic illuminator

K-401L



K-401P



Unit:mm